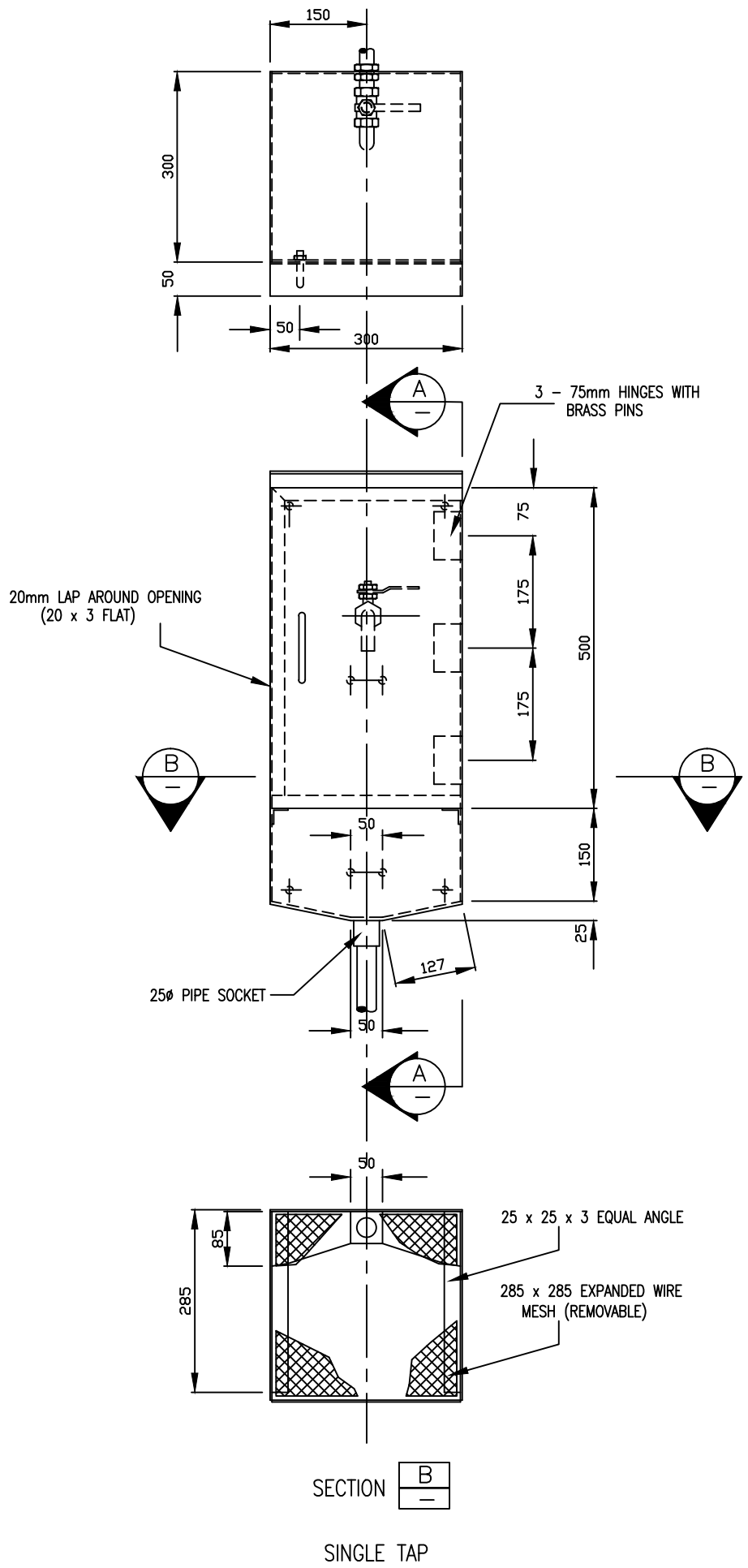
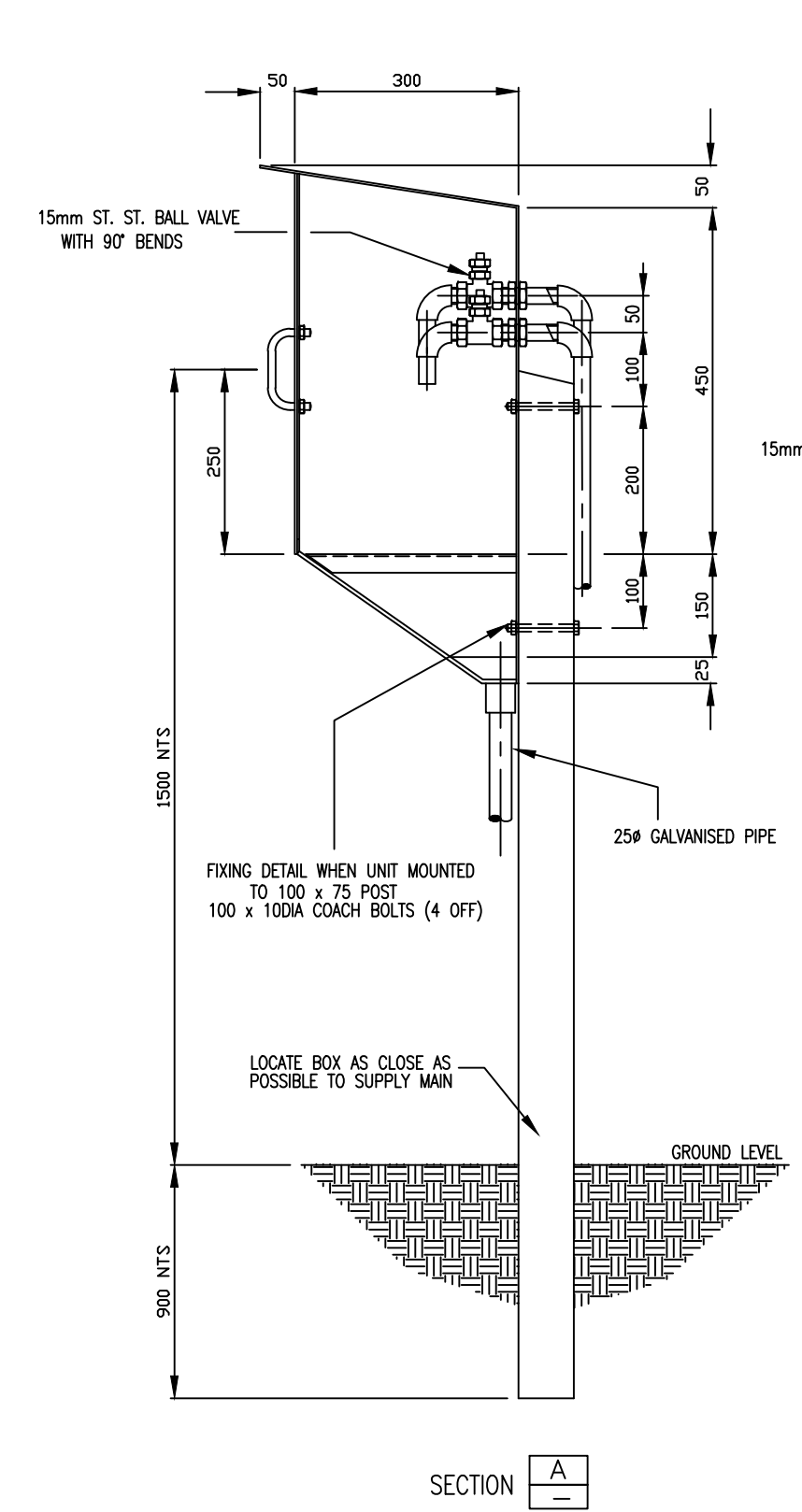


Drawing Index

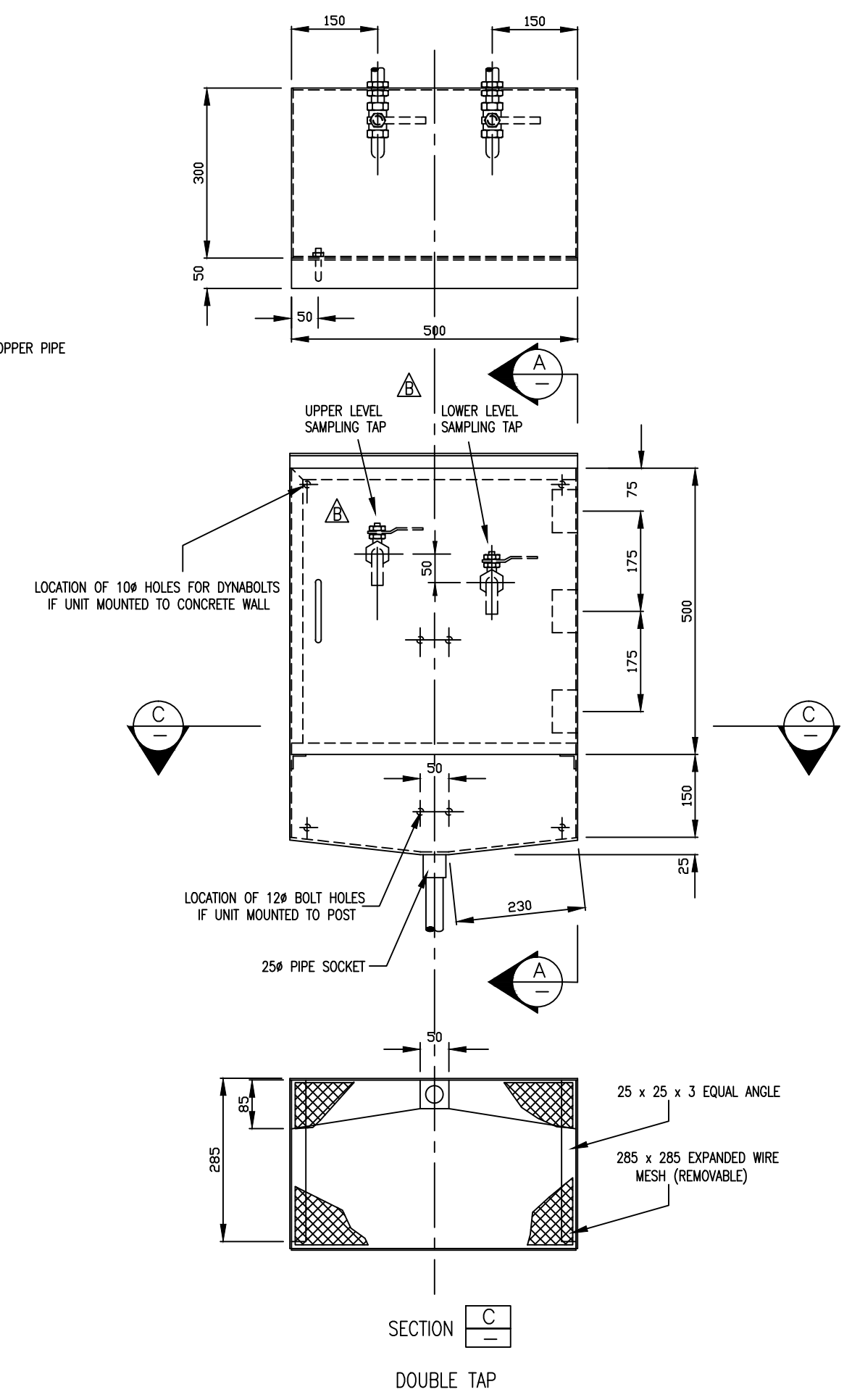
Name	Doc.No	Document Description
2001979.034.pdf	2001979.034	WATER RETICULATION STANDARD SINGLE AND DOUBLE SAMPLE TAP DETAILS OF SAMPLE BOX
2001979.055.pdf	2001979.055	WATER RETICULATION STANDARD V NOTCH SEEPAGE WEIRS TYPICAL DETAILS
2001979.131.pdf	2001979.131	WATER SAMPLING POINT INSTALLATION DETAILS
2003613.001.pdf	2003613.001	RAIN GAUGE STATION HYDROMETRIC NETWORK TYPICAL LAYOUT
2003613.002.pdf	2003613.002	RAIN GAUGE INSTALLATION FIGURE NO4.5 DETAIL OF TIPPING BUCKET
2003613.003.pdf	2003613.003	RAIN GAUGE INSTALLATION DETAIL OF RECORDER BOX
2003613.004.pdf	2003613.004	RAIN GAUGE GROUND LEVEL PIT FIGURE NO4.3
2003613.026.pdf	2003613.026	STANDARD SPECIFICATION FIGURE A1 RAINFALL STATION TYPICAL LAYOUT
2003613.027.pdf	2003613.027	RAIN GAUGE INSTALLATION FIGURE A3 TIPPING BUCKET DETAIL
2003613.028.pdf	2003613.028	RAIN GAUGE INSTALLATION FIGURE A4 RECORDER BOX DETAIL
2003613.029.pdf	2003613.029	RAINFALL STATION FIGURE A5 GROUND LEVEL PIT FOR ENHANCED SPECIFICATION
2003613.030.pdf	2003613.030	RAINFALL STATION FIGURE A2 ENHANCED SPECIFICATION TYPICAL LAYOUT



SECTION B
SINGLE TAP



SECTION A



SECTION C
DOUBLE TAP

- NOTES
1. UNIT CONSTRUCTED OF 3mm PLATE STEEL EXCEPT BOTTOM (USE 5mm PLATE STEEL)
 2. COMPLETED UNIT TO BE HOT DIPPED GALVANISED
 3. UNIT MAY BE MOUNTED TO TANALISED TIMBER POST OR BOLTED TO CONCRETE WALL (WITH 4-10# DYNABOLTS)
 4. HINGES TO BE WELDED IN POSITION
 5. ALL WELDS 4mm FILLET
 6. PADLOCK TO BE FITTED TO UNIT

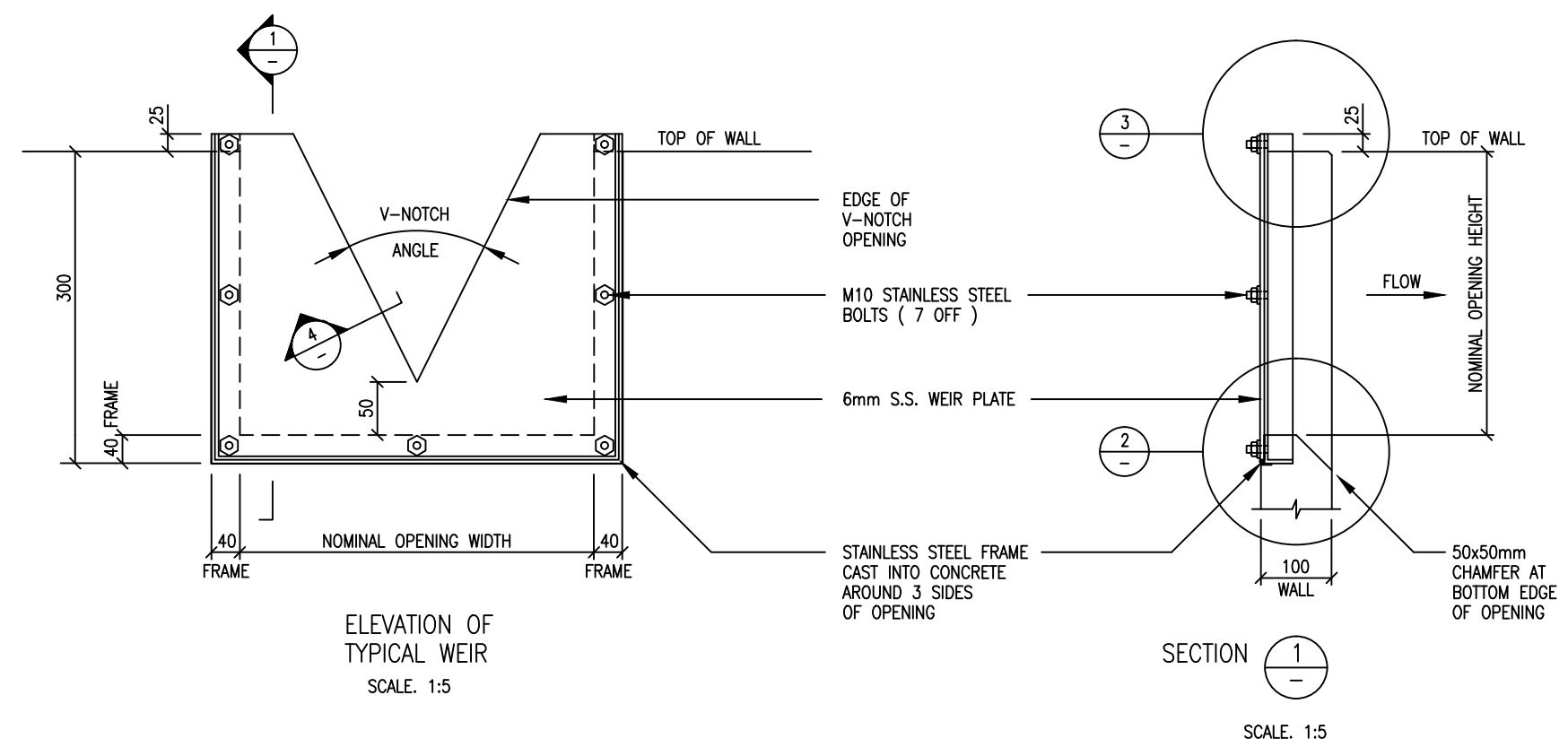
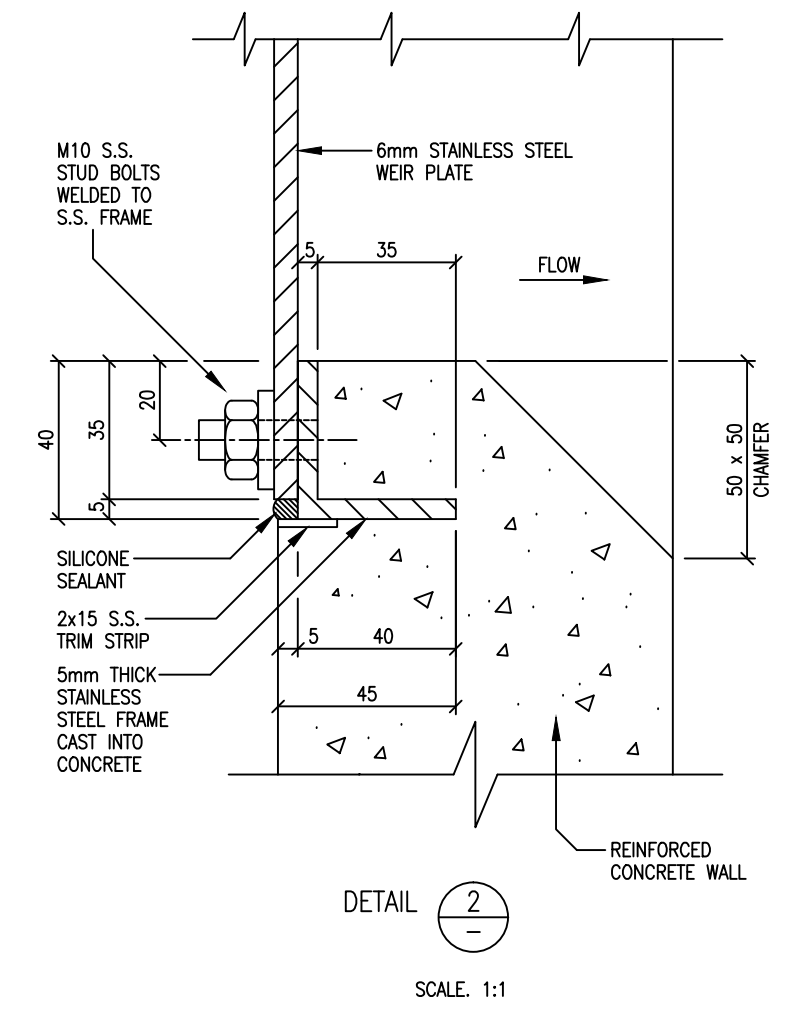
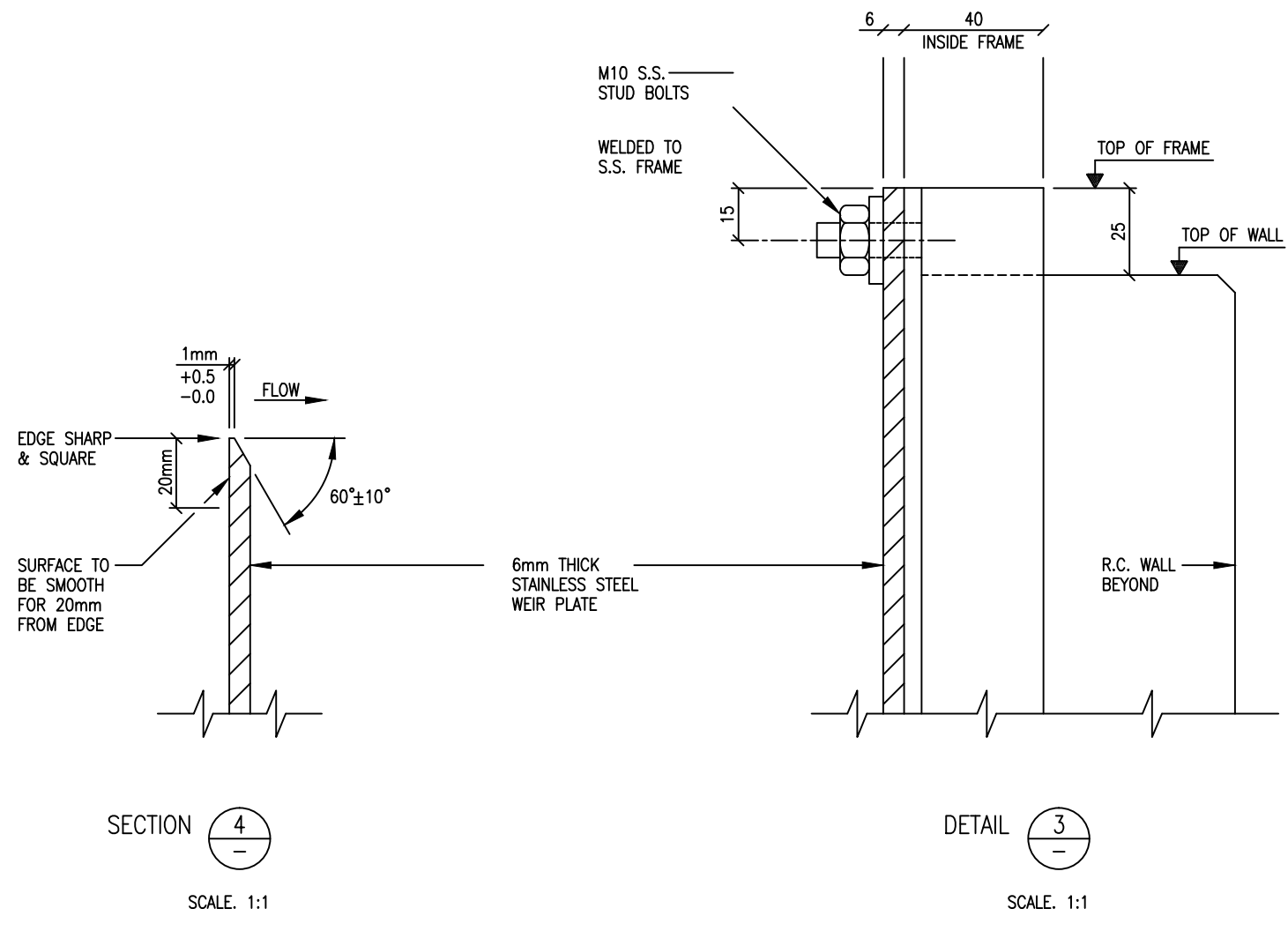
DESIGNED	S.CUNIS				
DES. CHECKED					
DRAWN	P.ROURKE	02:83			
DWG. CHECKED					
PROJECT LEADER					
ISSUE	DATE	AMENDMENT	BY	APPD.	BY

OPERATIONS MANAGER WATER	
PLANNING MANAGER WATER	



WATERCARE SERVICES WATER RETICULATION
STANDARD SINGLE AND DOUBLE TAP
DETAILS OF SAMPLE BOX

CAD FILE 2001979.034	DATE 29:08:01
ORIGINAL SCALE A1	CONTRACT No.
1:5	
DRAWING No. 2001979	ISSUE .034



'V' ANGLE	No.	WIDTH
28.1	3	250
53.1	2	400

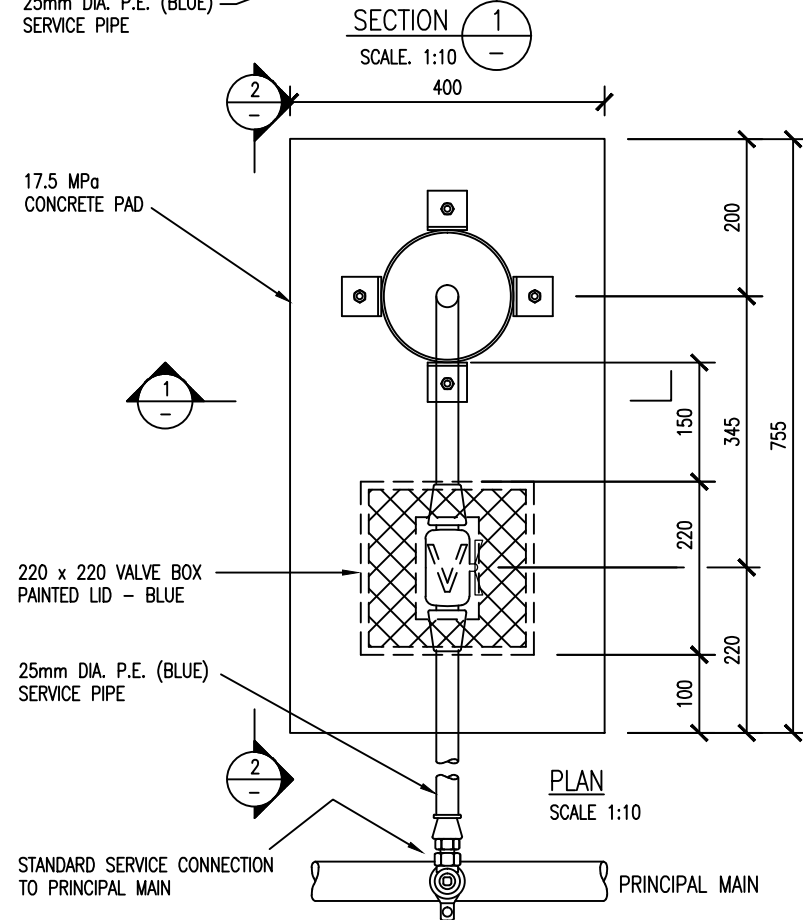
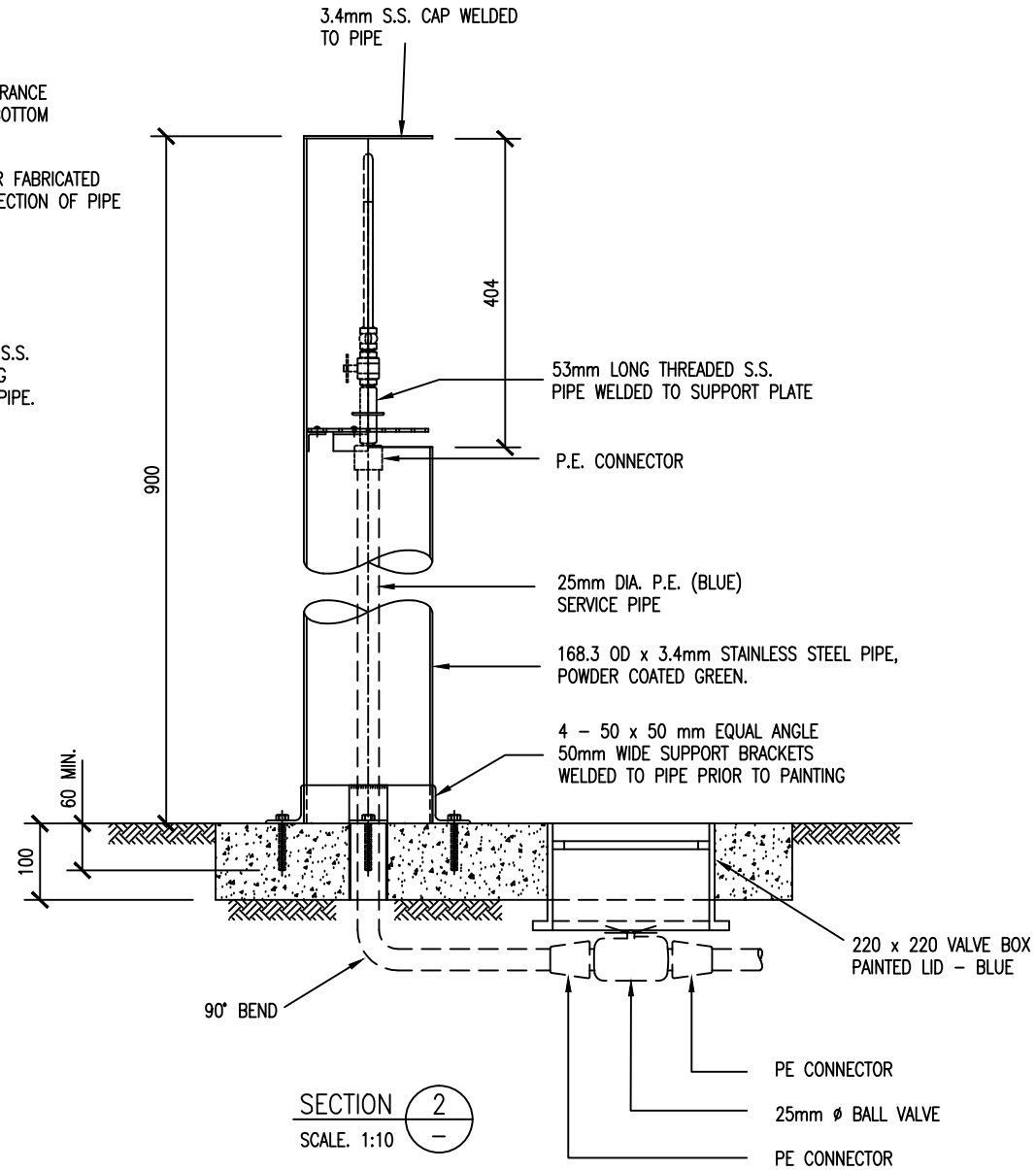
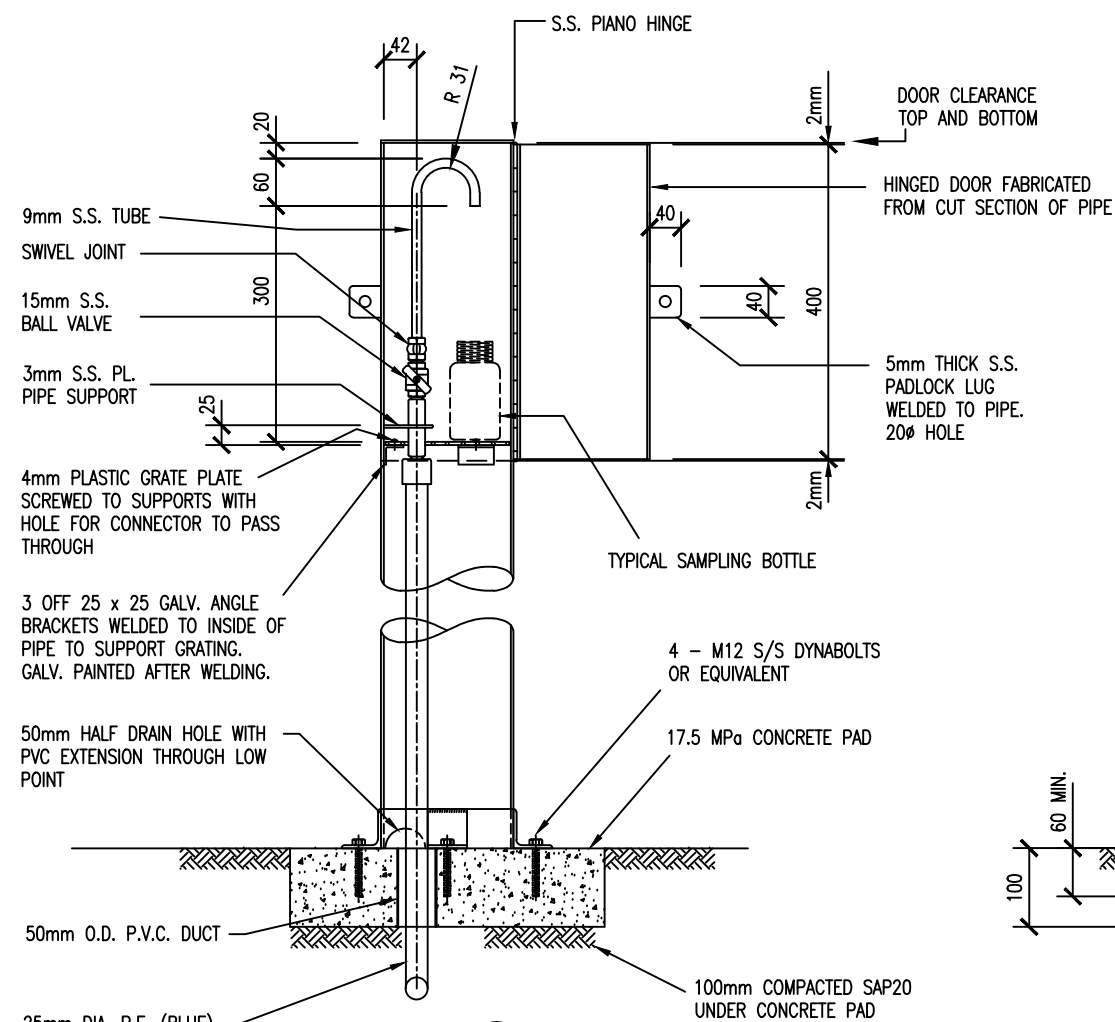
ISSUE	DATE	AMENDMENT	BY	APPD.	BY	DATE

DESIGNED	G. EUJINTON	05-03
DES. CHECKED		
DRAWN	I. MOSES	05-03
DWG. CHECKED		
PROJECT LEADER	G. E.	05-03
DS APPROVED		



WATERCARE SERVICES WATER HEADWORKS
'V' NOTCH SEEPAGE WEIRS
TYPICAL DETAILS

CAD FILE 2001979.055	DATE 28-05-03
ORIGINAL SCALE A1	CONTRACT No. -
AS SHOWN	
DRAWING No. 2001979	ISSUE .055



NOTES

1. THIS ARRANGEMENT IS TO BE USED FOR ALL SAMPLING POINTS IN THE DISTRIBUTION NETWORK
2. ALL P.E. CONNECTORS TO BE EITHER PUSHLOK, PLASSON, PHILMAC OR SIMILAR APPROVED.
3. ON SLOPING GROUND INSTALL DOOR OPENING ON THE UPHILL SIDE.
4. ALL WELDS TO BE 4mm FILLET

DESIGNED	S. T.	07-11		
DES. CHECKED				
DRAWN	I.M.	07-11		
DWG. CHECKED				
PROJECT LEADER				
INFRASTR'R APP'D				
BY	I.M.	S.T.		
DATE	07-11	APPROVED FOR ISSUE		
AMENDMENT				

C. WATSON
OPERATIONS

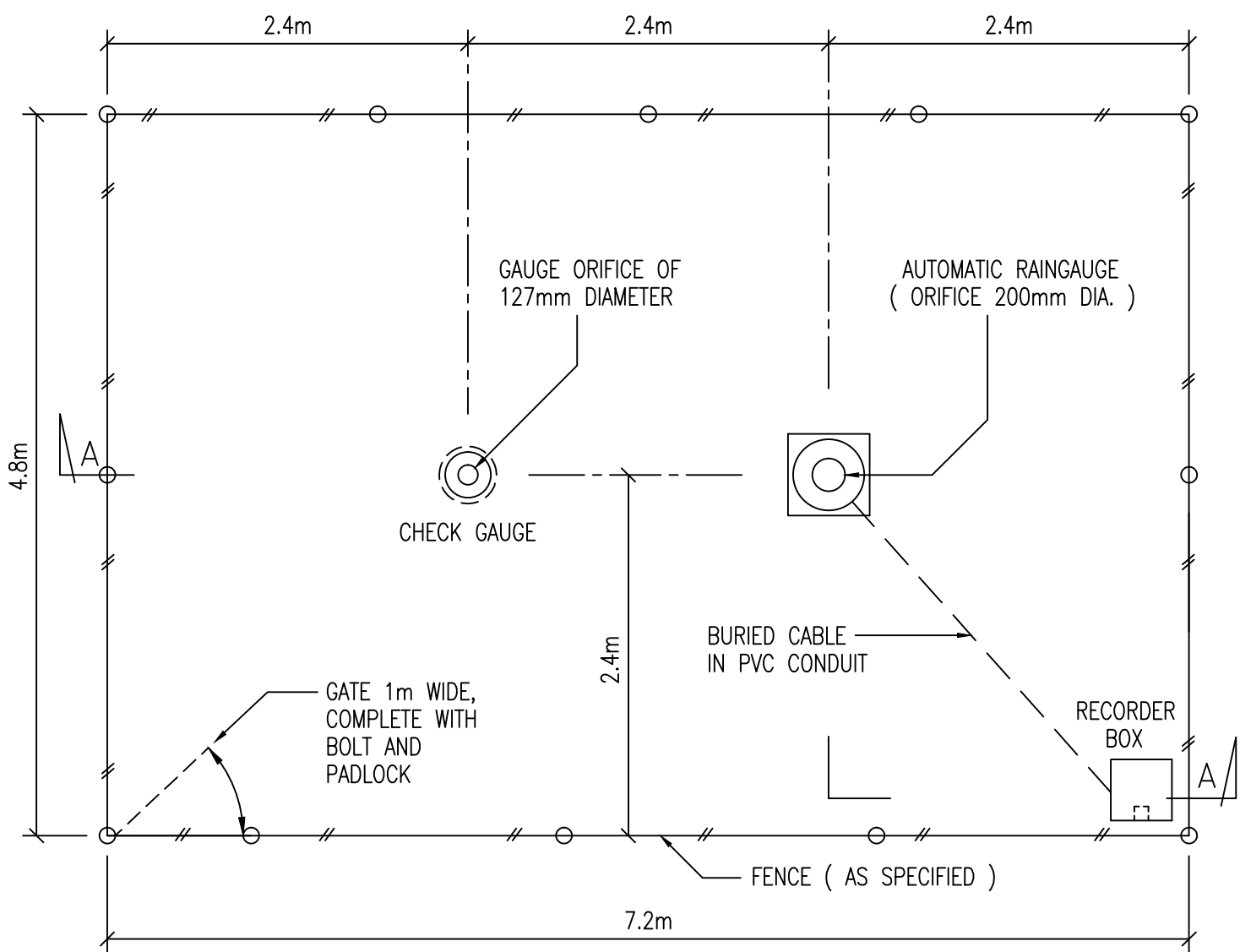
G. STEWART
INFRASTRUCTURE

water Care
services limited

COPYRIGHT - This drawing, the design concept, remain the exclusive property of Watercare Services Limited and may not be used without approval. Copyright reserved.

WATERCARE RETICULATION STANDARD
WATER SAMPLING POINT
INSTALLATION DETAILS

CAD FILE	2001979.131	DATE	20-07-11
ORIGINAL SCALE	A3 AS SHOWN	CONTRACT No.	-
REF No.		ISSUE	
DWG No.	2001979.131		



SITE LAYOUT- PLAN

N.T.S.

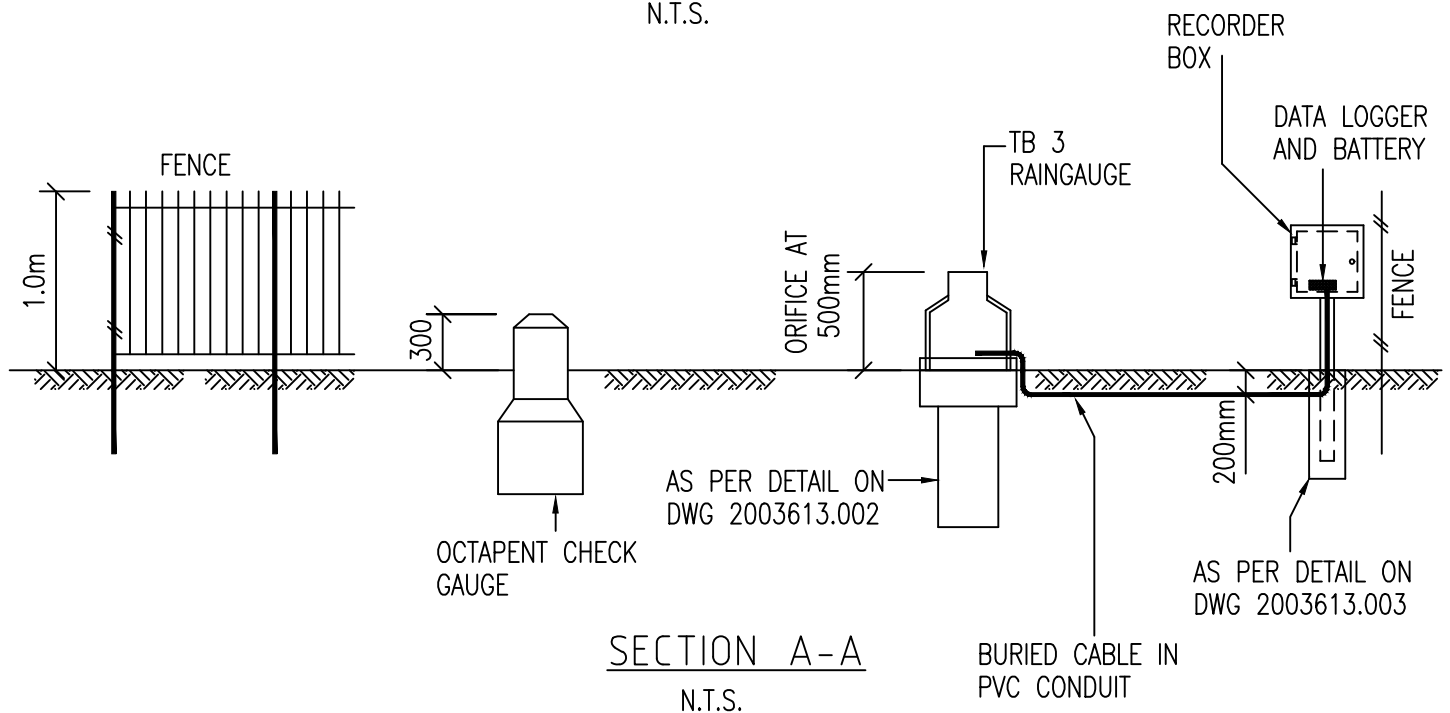


FIGURE 4.2 TYPICAL LAYOUT
RAIN GAUGE STATION
HYDROMETRIC NETWORK

NOTE:
SEE INDIVIDUAL
SITE PLANS

waterCare
services limited

CAD FILE : EG2003613.001
DWG No. 2003613.001

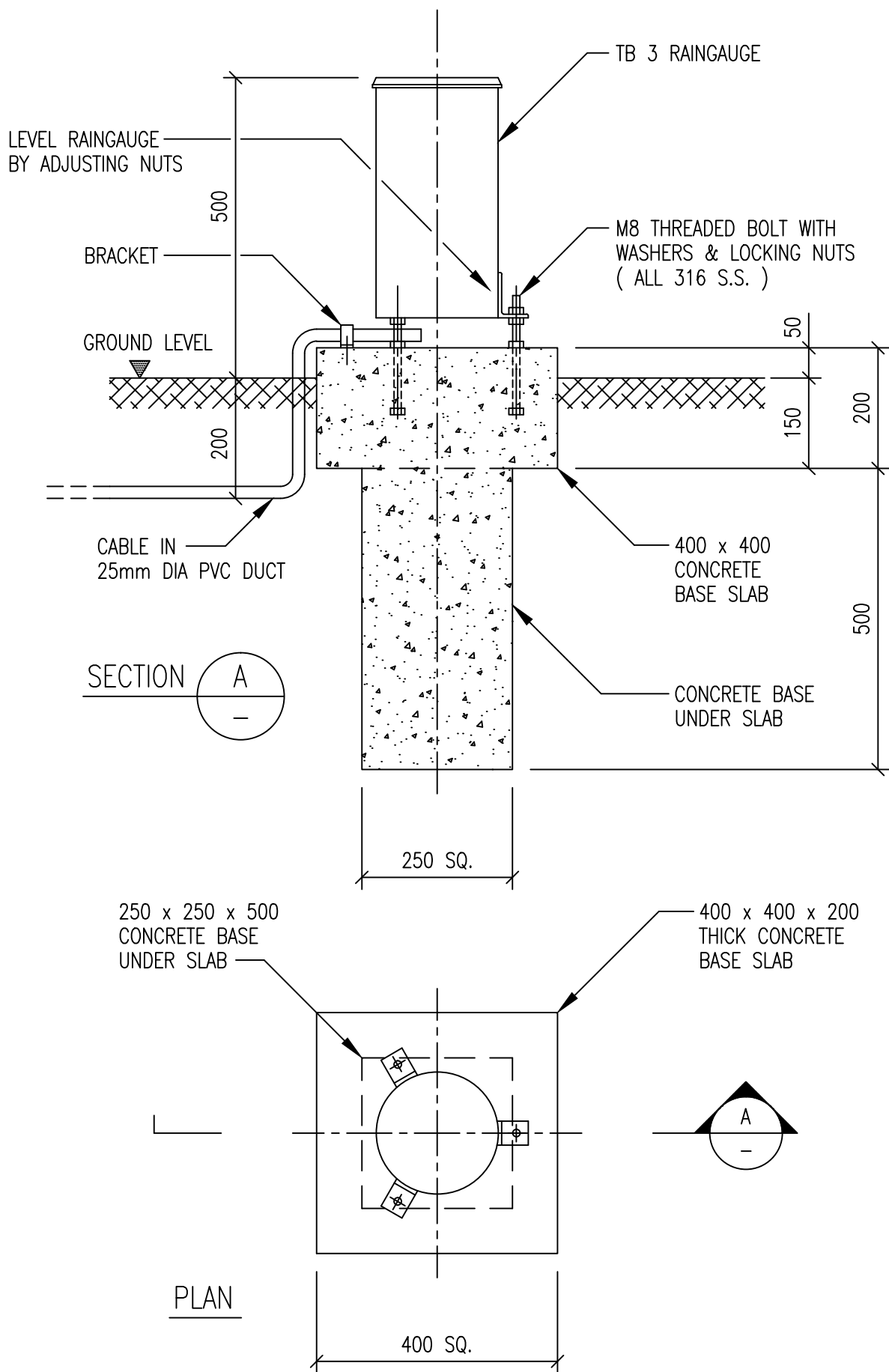
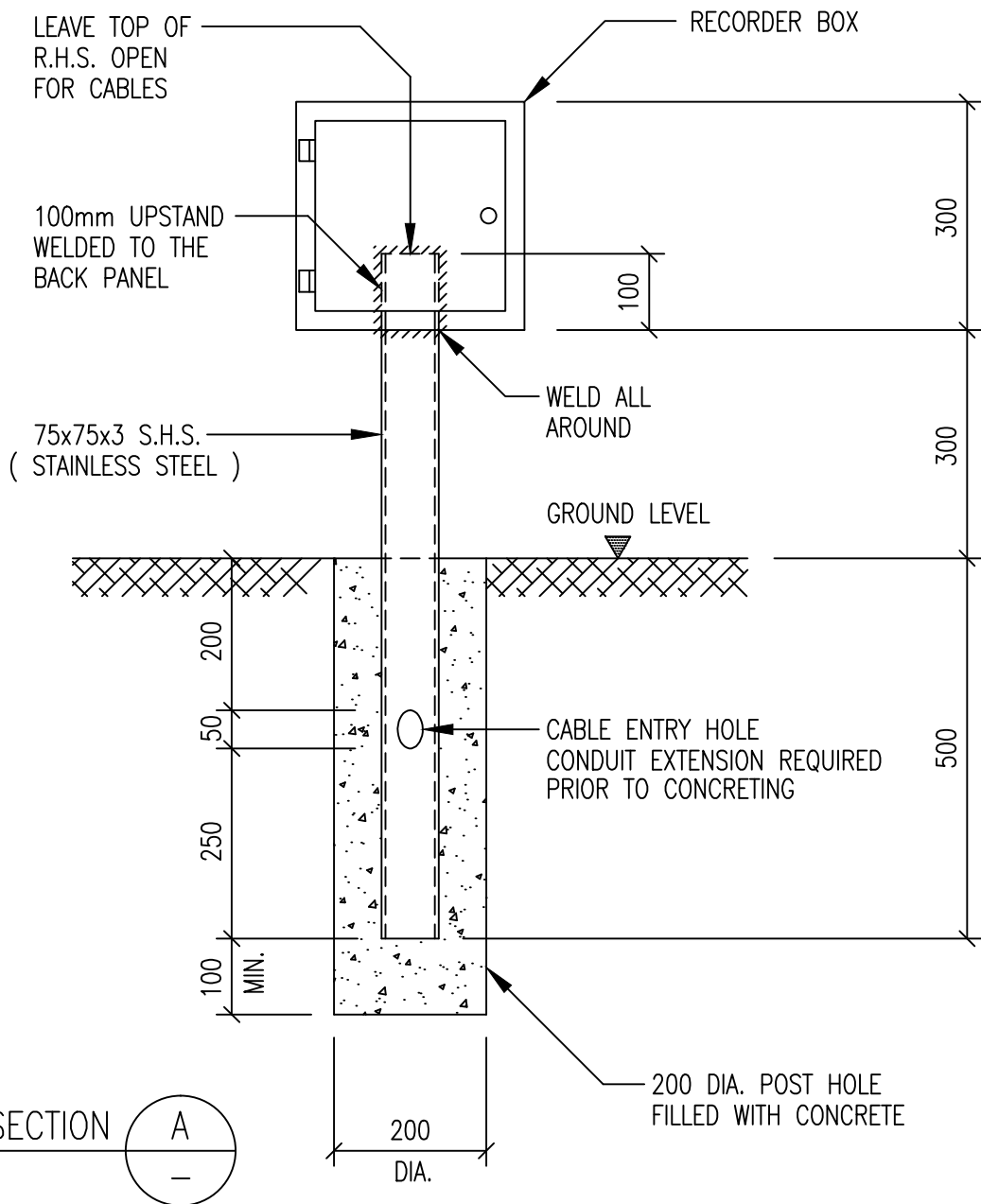
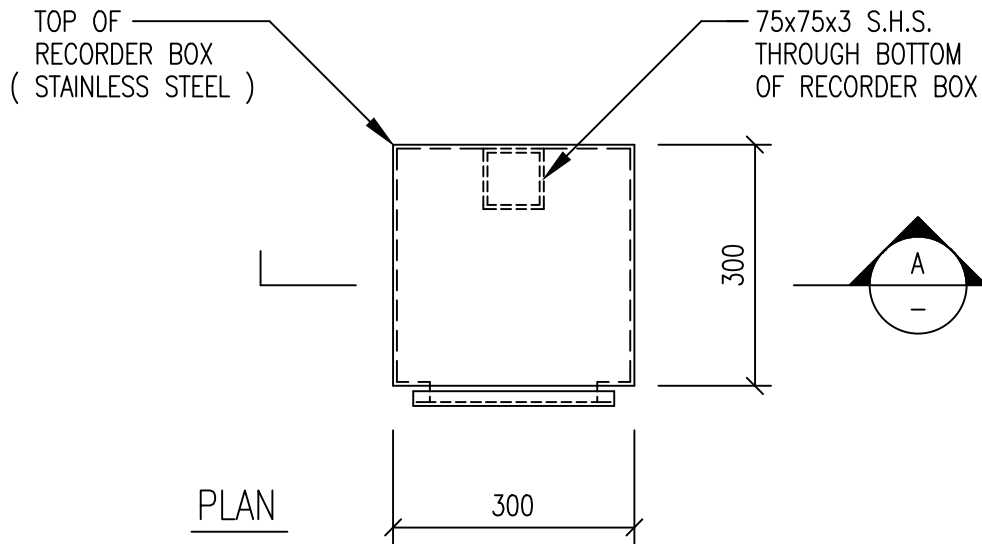


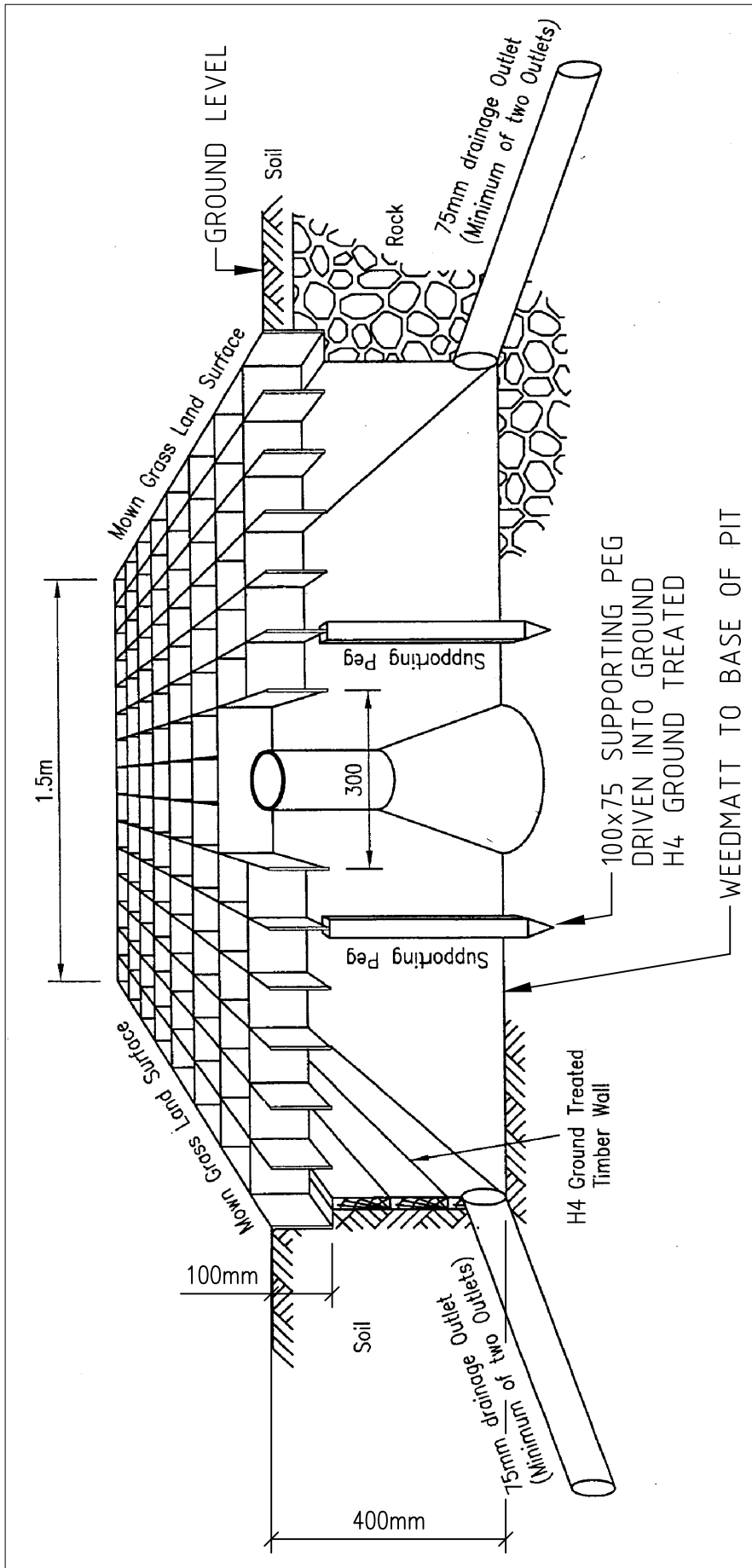
FIGURE 4.5
 DETAILS OF TIPPING BUCKET
 RAINGAUGE INSTALLATION



DETAILS OF RECORDER BOX
RAINGAUGE INSTALLATION

waterCare
services limited

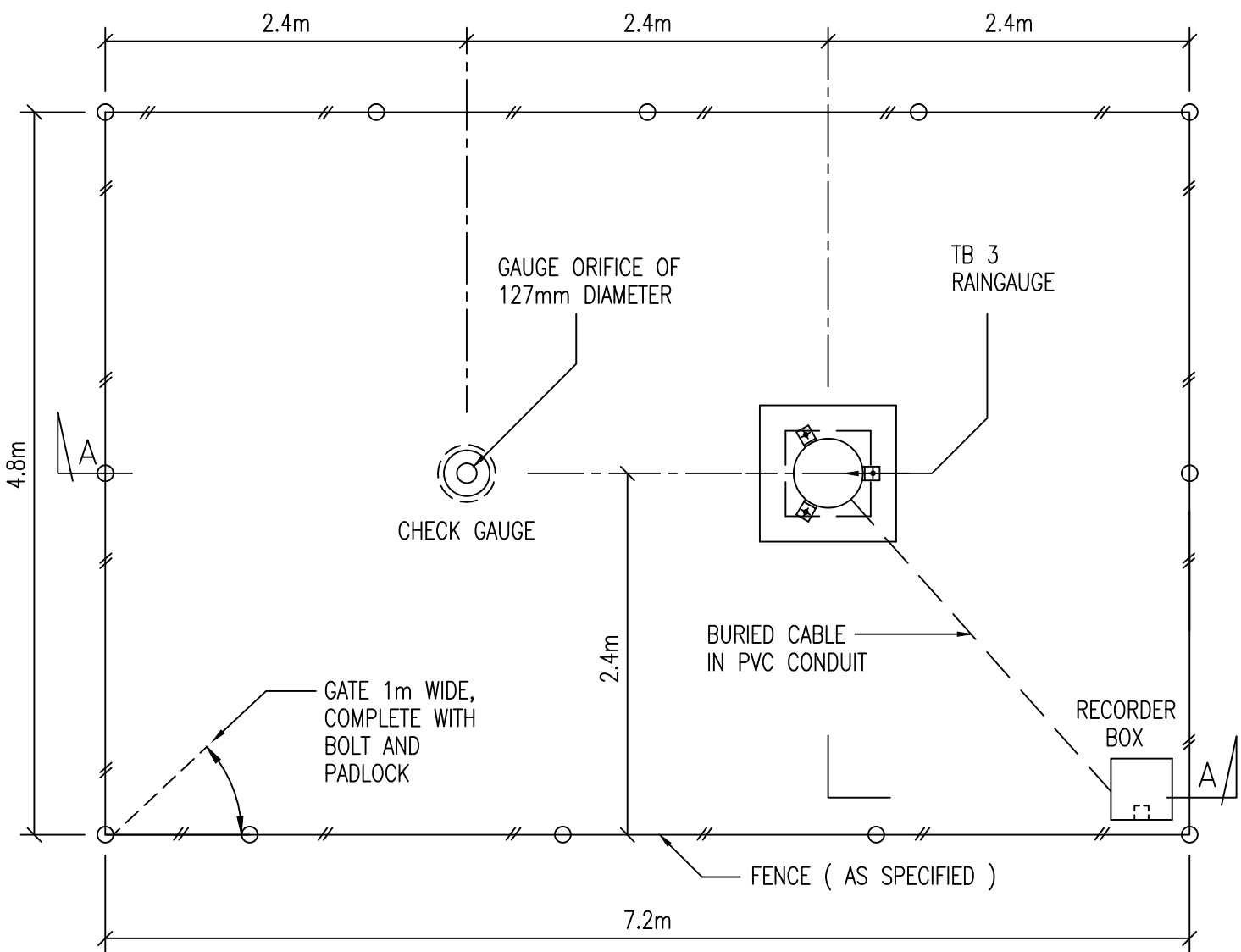
CAD FILE : EG2003613.003
DWG No. 2003613.003



NOTE

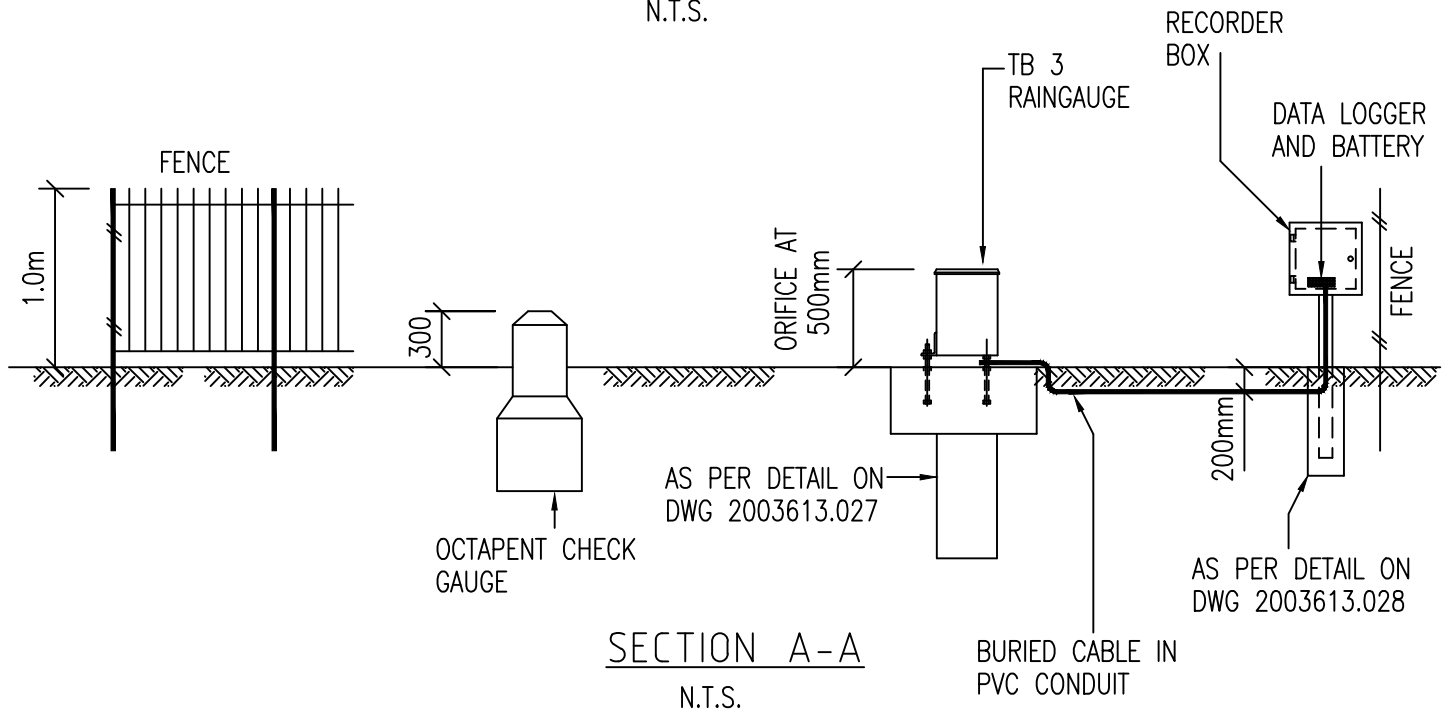
A GROUND-LEVEL GAUGE SHALL BE INSTALLED IN A PIT WITH AN ALUMINIUM ANTI-SPLASH GRID. THE SLATS SHOULD BE THIN, AND IN SQUARES OF 100mm. THE GRID SHOULD BE AT LEAST 1.5m SQUARE AND

FIGURE 4.3
GROUND LEVEL PIT
RAIN GAUGE STATION



SITE LAYOUT- PLAN

N.T.S.



SECTION A-A

N.T.S.

FIGURE A.1 TYPICAL LAYOUT
STANDARD SPECIFICATION
RAINFALL STATION

NOTE:
SEE INDIVIDUAL
SITE PLANS



CAD FILE : EG2003613.026
DWG No. 2003613.026

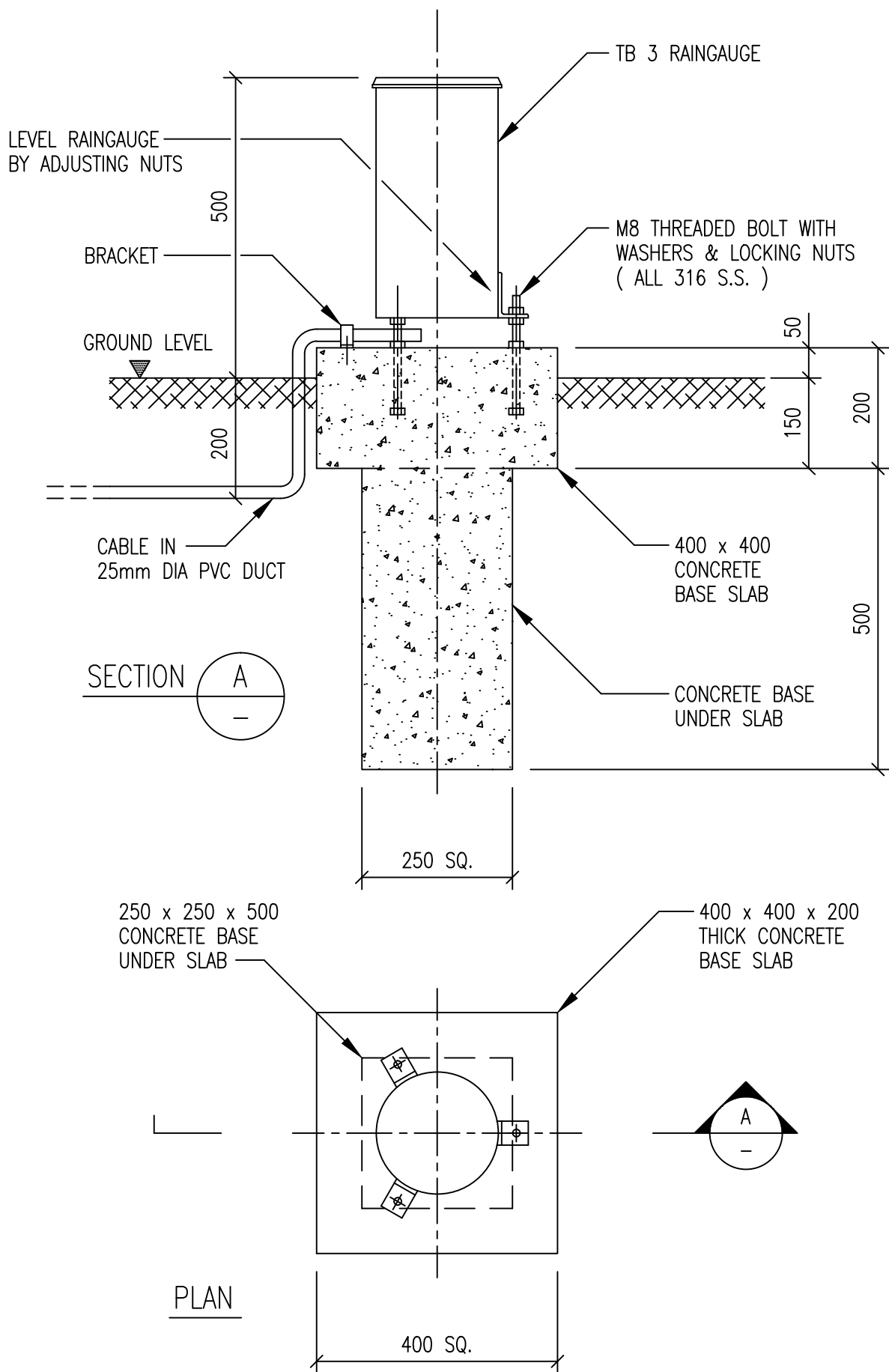


FIGURE A.3
 DETAILS OF TIPPING BUCKET
 RAINGAUGE INSTALLATION

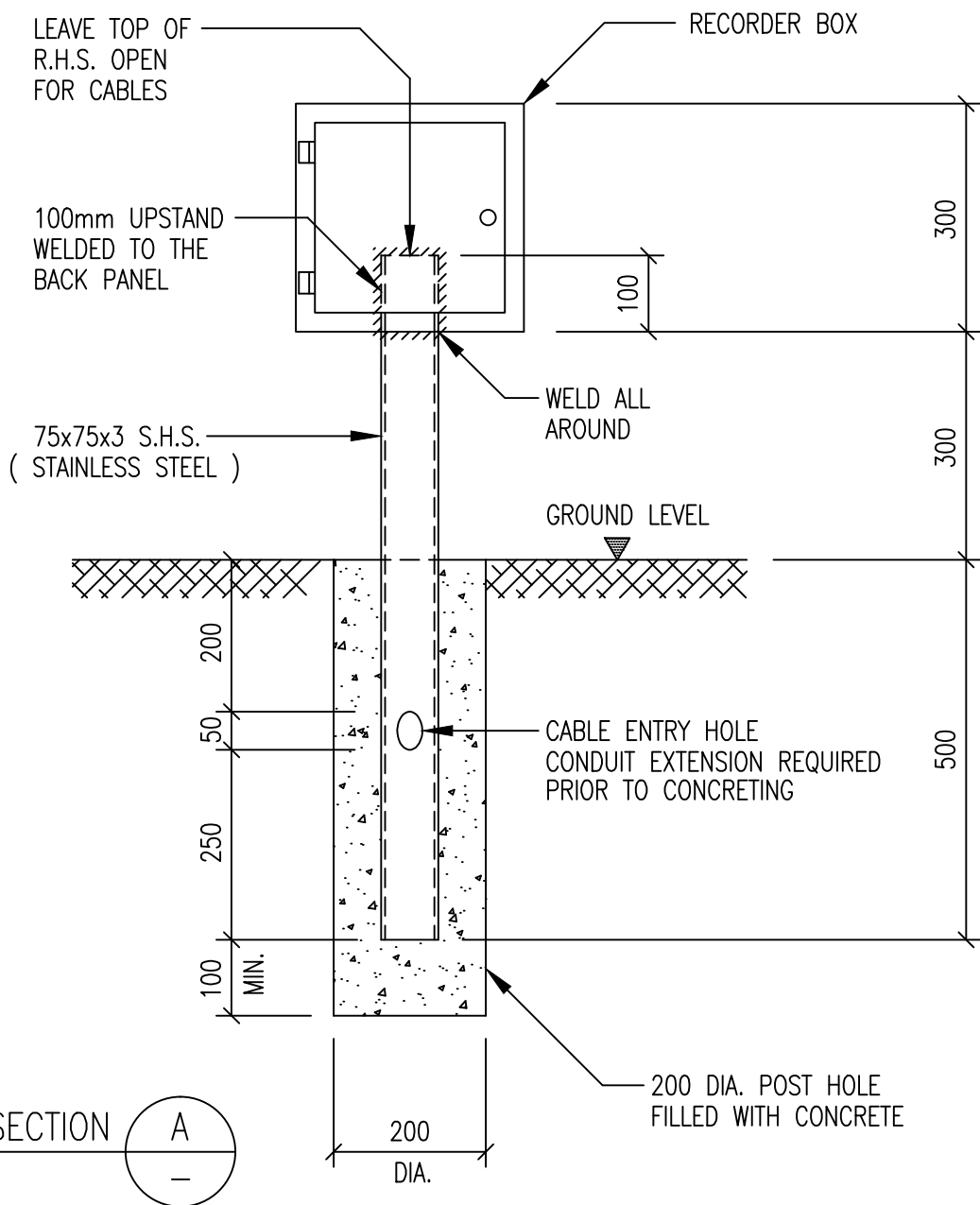
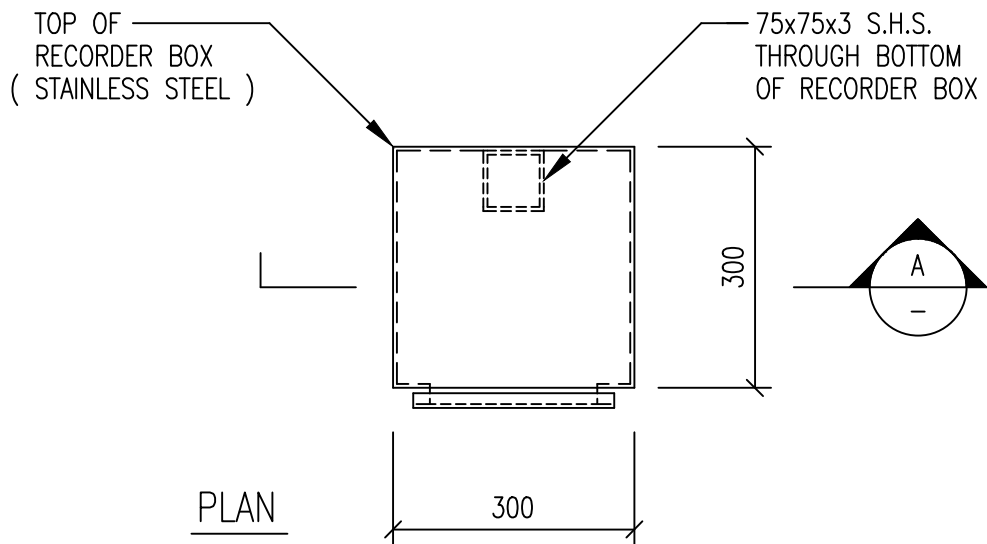
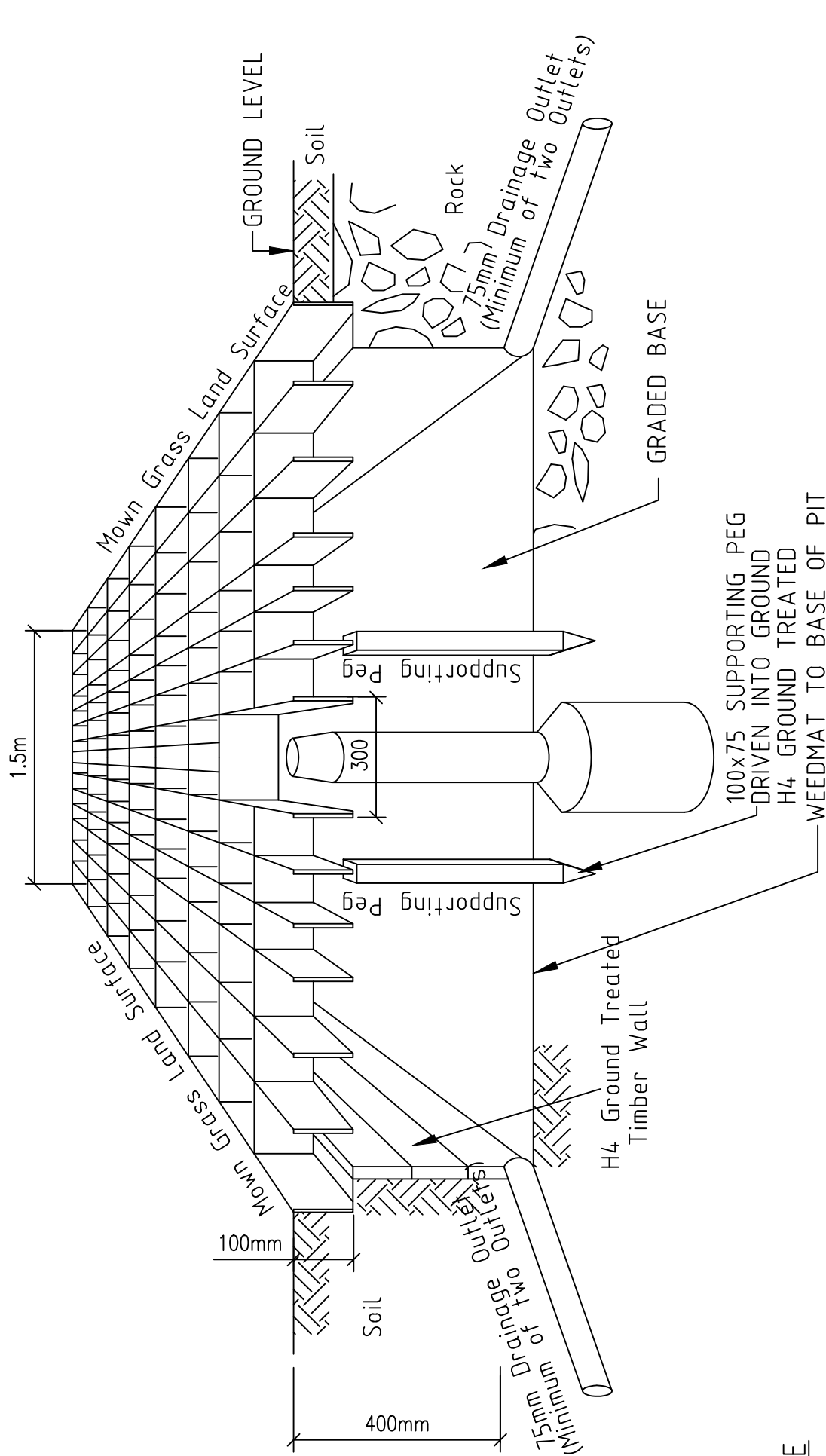


FIGURE A.4.
DETAILS OF RECORDER BOX
RAINGAUGE INSTALLATION

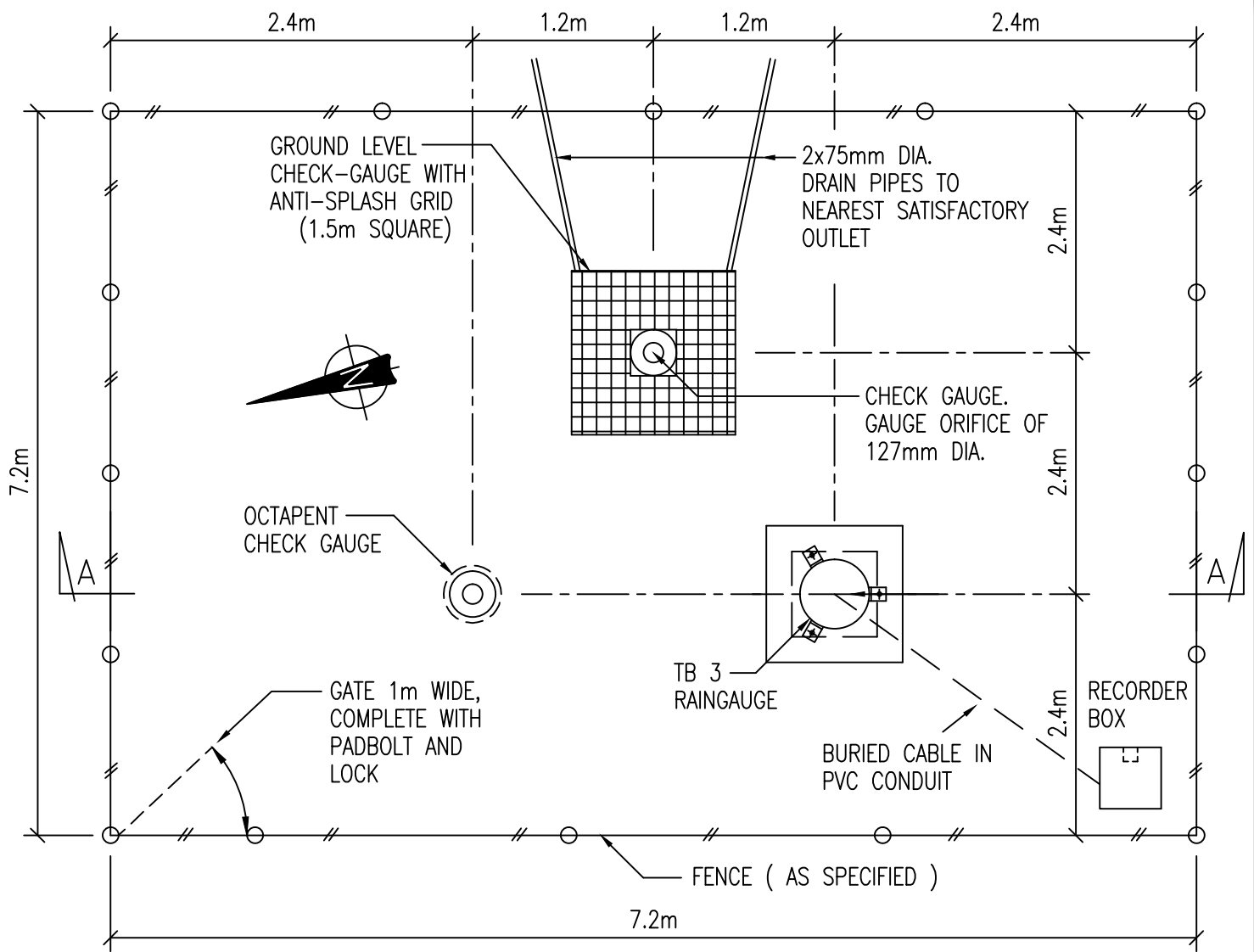


NOTE

A GROUND-LEVEL GAUGE SHALL BE INSTALLED IN A PIT WITH AN ALUMINIUM ANTI-SPLASH GRID. THE SLATS SHOULD BE 3mm THK, AND IN SQUARES OF 100mm. THE GRID SHOULD BE AT LEAST 1.5m SQUARE AND LEVEL

FIGURE A.5
GROUND LEVEL PIT
FOR ENHANCED SPECIFICATION
RAINFALL STATION





NOTE

TWO DRAINAGE PIPES REQUIRED

SITE LAYOUT- PLAN

N.T.S.

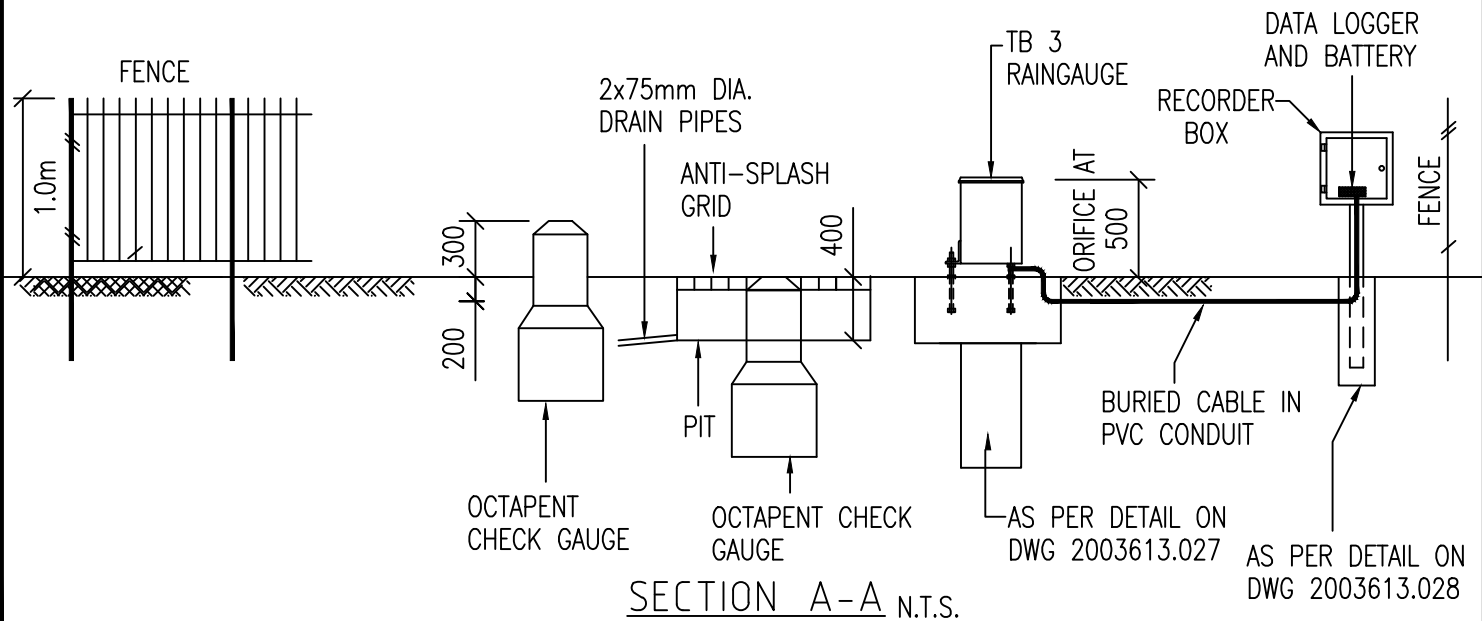


FIGURE A.2

TYPICAL LAYOUT
ENHANCED SPECIFICATION
RAINFALL STATION



CAD FILE : EG2003613.030
DWG No. 2003613.030